

High Density Patch Panel DN-96200-HD



✓ for LC/DX, SC/SX, MPO, Splice

✓ Front cover

✓ Rear cover

✓ Cable management

This high density Patch Panel is made for Datacenters or other application where is only small space. You can put different cassette inside, so you have a solution for 3 x LC/Quad, 3 SC/DX , 4 MPO or a splice cassette solution.

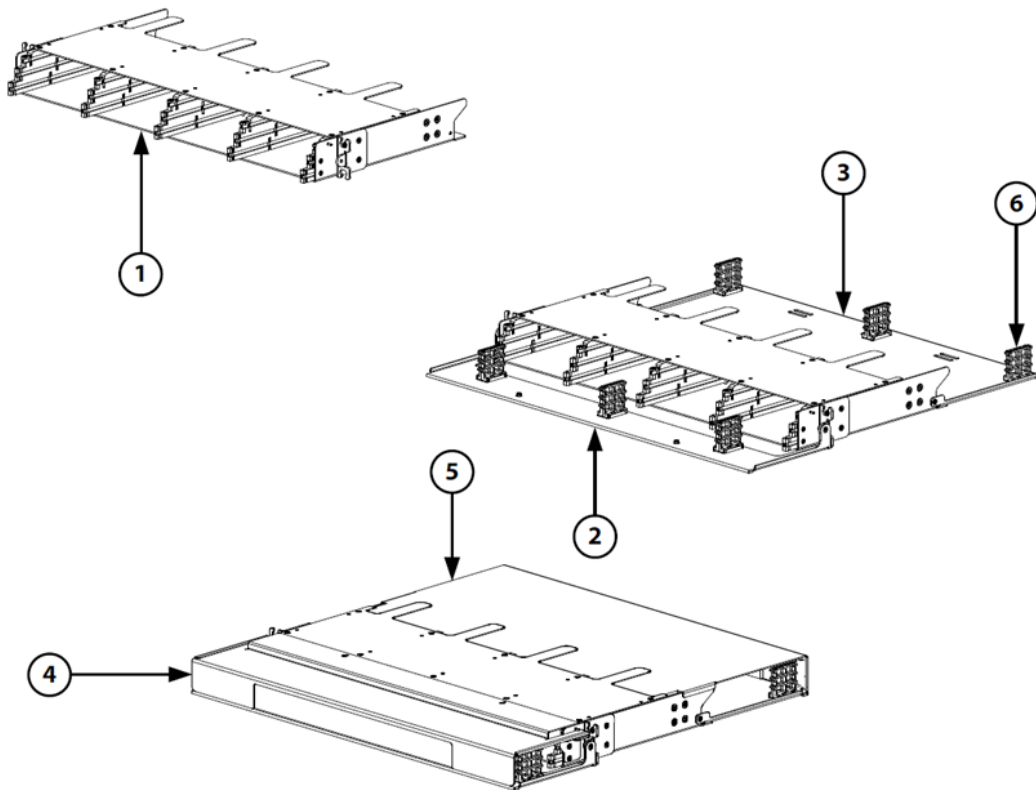
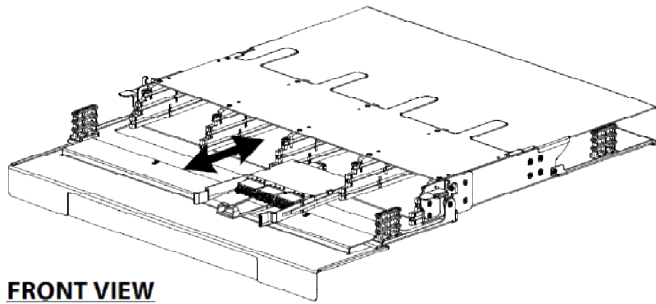
Features:

Connect LC
Connect SC
Connect MPO
Splice cassette
Cover for front and rear
Cablemanagenet

Product Number Information

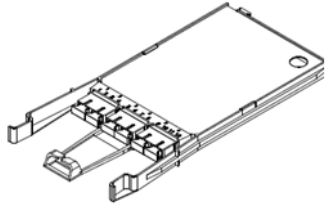
Part number	Discription
DN-96200-HD	Patch Panel
DN-96200-HD-SC	Cassette for SC/DX or LC/Quad couplers
DN-96200-HD- LCM	Cassette for one MPO and LC/Quad couplers
DN-96200-HD-MPO	Cassette for 4 MPO couplers
DN-96200-HD-SP	splice cassette

Technical Drawings

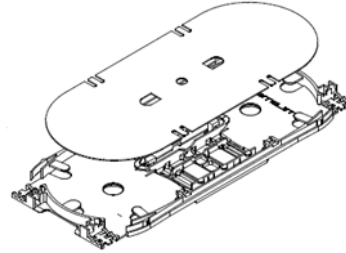


- 1 Lean Patch Panel
- 2 Front management bar
- 3 Rear management bar
- 4 Front cover
- 5 Rear cover
- 6 Magnetic cable manager

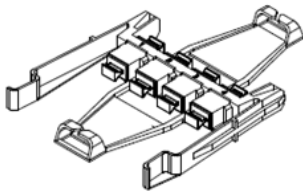
All cassettes without couplers and Pigtails



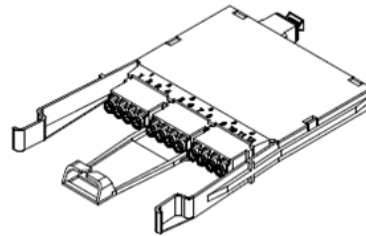
DN-96200-HD-SC
Cassette for 3 SX/DX or LC/Quad



DN-96200-HD-SP
Splice cassette



DN-96200-H-MPO
Cassette for 4 MPO couplers
All cassettes without couplers and Pigtails



DN-96200-HD-LCM
Cassette for 3 LC/Quad to MPO Adapter

